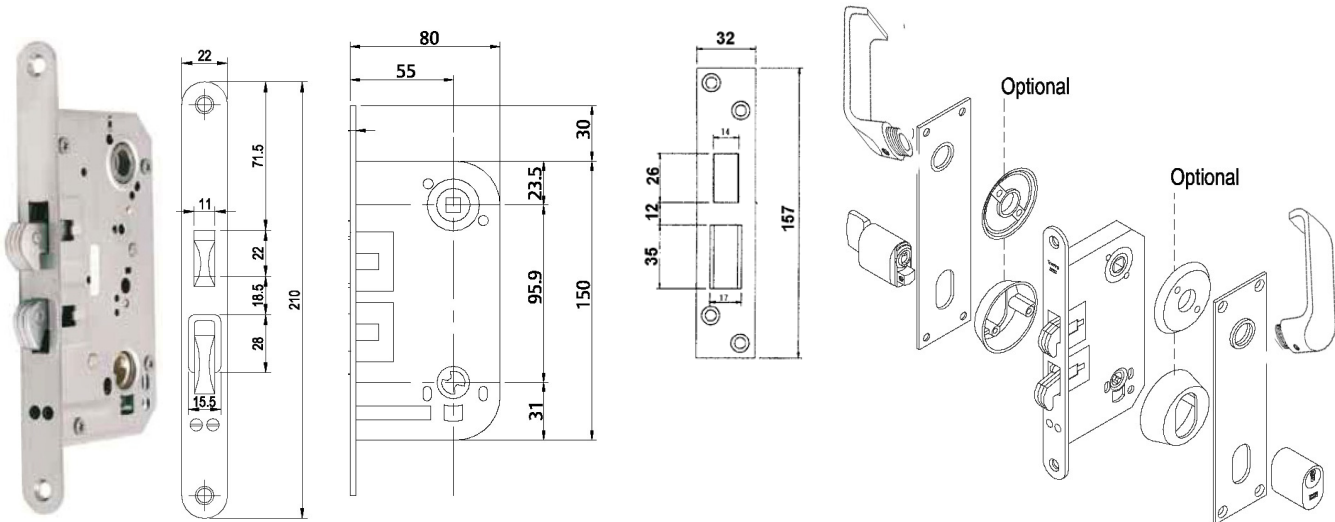
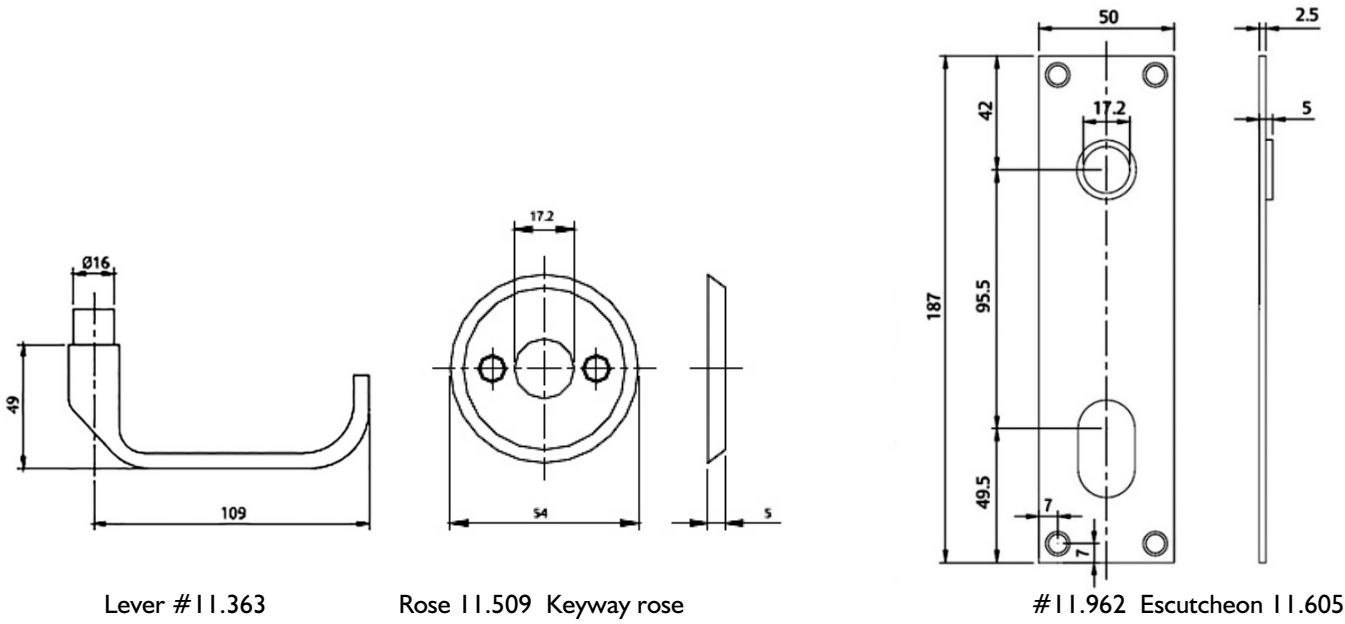




EXTERIOR LOCK SETS WITH DIMENSIONS IN MM



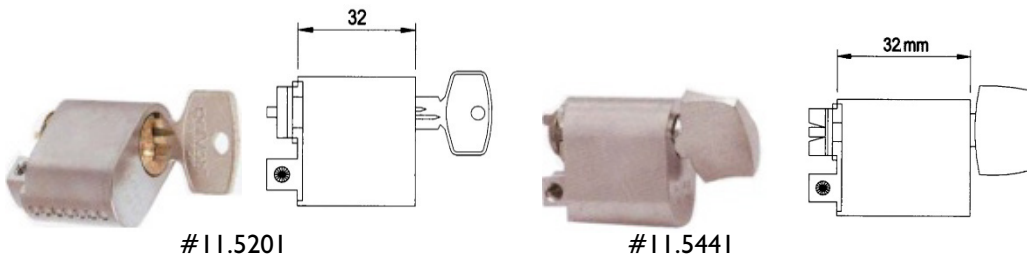
- #11.SSET01. Complete Entry Sliding Door Set for Interior doors with satin stainless steel trim and escutcheons.
- #11.BSET02. Complete Entry Sliding Door Set for Interior doors with polished chrome trim and escutcheons.
- #11.BSRT01. Complete Entry Sliding Door Set for Interior doors with satin chrome trim and roses.



Lever #11.363

Rose 11.509 Keyway rose

#11.962 Escutcheon 11.605



#11.5201

#11.5441

Sets include: 1 keyway with 2 keys and 1 thumb-turn (Optional: 2 keyways, no thumb-turn)
 Specify door thickness when ordering.
 Specify satin or polished
 Specify left or right (see page 0-2 for handing)

UPGRADE TO YACHT TRIM: #11.SEFT.037