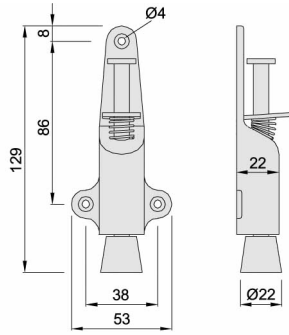
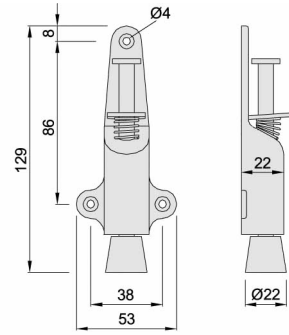


BRASS LAQUERED - Seawater resistant

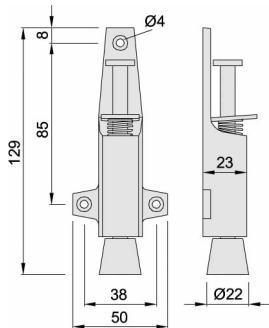
STAINLESS STEEL - Seawater resistant



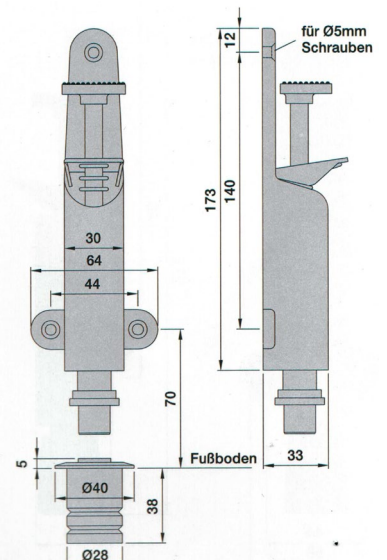
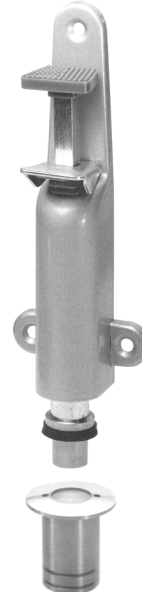
#32.024.106 Door holder, Push type Throw: 25 mm #32.245 Rubber Bumper



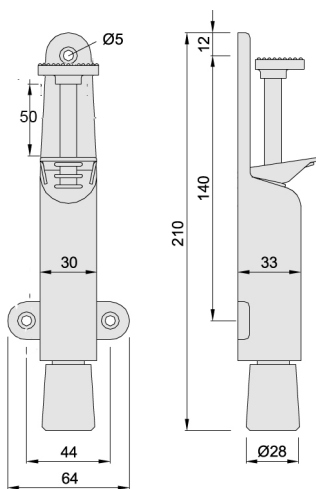
#32.0241.508 Door holder, Push type Throw: 25 mm #32.0241.308 Polished stainless steel



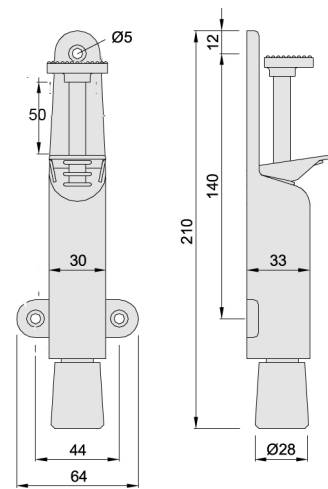
#32.021.003 Door holder, Push type Throw: 25 mm #32.K42 ALUMINUM ANODIZED



#32.1038.508 Door holder, Push type Throw: 30 mm #32.1038.308 Polished Stainless steel use with in Floor Receiver #32.K42 **STAINLESS STEEL**



#32.029.106 Doorholder 50 mm ~ 2" throw #32.255



#32.0291.508 Doorholder 50 mm ~ 2" throw #32.0291.308 Polished Stainless steel

STAINLESS STEEL - Seawater resistant

BRASS LAQUERED - Seawater resistant

#32.0293.003 Similar Model In anodized aluminum: Special order. minimum quantity purchase required. Seawater resistant.

FOR SPECIAL FINISHES PLEASE CALL OFFICE