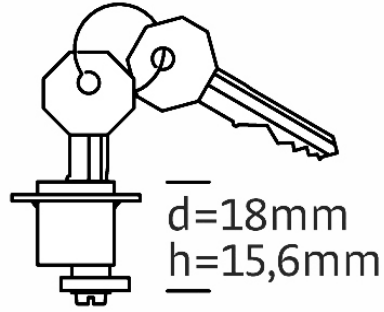


Showing #43.926 Winch handle with hatch fastener #43.975 with roller bearing cam + strike and lift handle #43.974



#43.926

