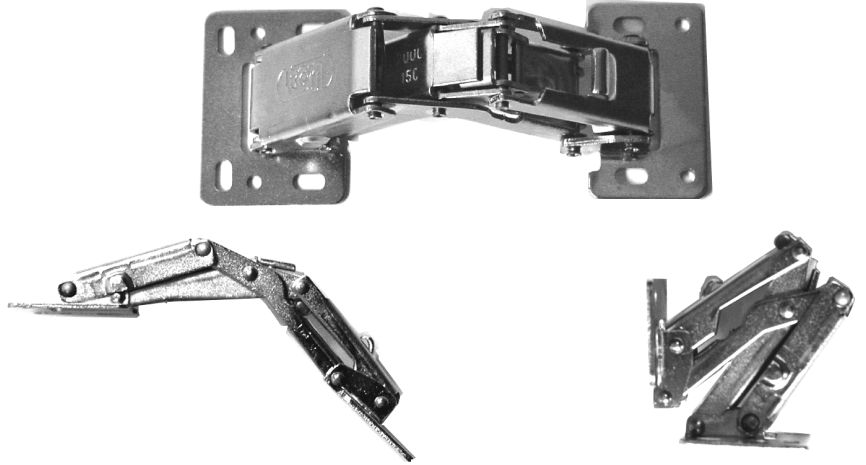




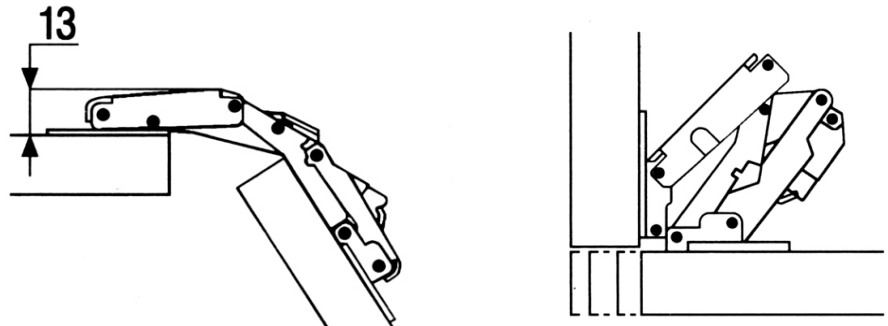
Izerwaren Stronger than regular "Euro" hinges  
Order numbers

**150 DEGREE STEEL GALVANISED STEEL EASY ON HINGE**

42.15S **Easy on hinge (2000/150S)** spring loaded 150 degree opening,  
For overlay, half overlay or insert doors.  
Dimensions: Open: 5 3/16" L x 2 1/16" W  
Required door thickness: 3/4" or 20 mm  
The spring loaded version has an electroplated hardened steel spring.  
Installation:  
Easy and quick installing non mortise cabinet hinge, no machining. Self closing and self locking. (spring loaded version)

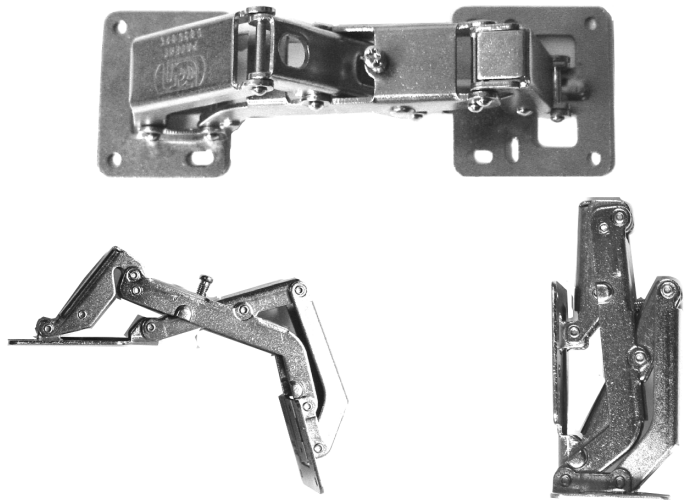


#42.150S 150 degree galvanized steel "easy on hinge", spring loaded hinge

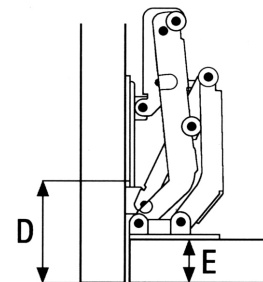
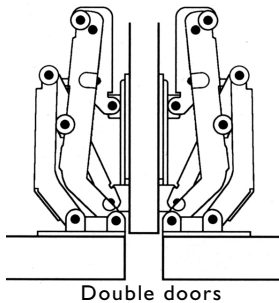


42.17S **Easy on hinge (2000/170S)** spring loaded 170 degree opening,  
For overlay, half overlay or insert doors.  
Dimensions: Open: 6 1/4" L x 2" W  
Required door thickness: 3/4" or 20 mm  
The spring loaded version has an electroplated hardened steel spring.  
Installation:  
Easy and quick installing non mortise cabinet hinge, no machining. Self closing and self locking. (spring loaded version)

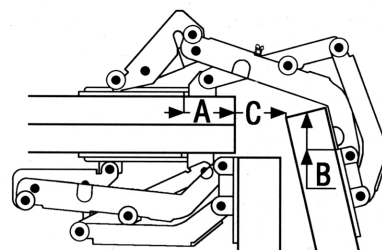
**170 DEGREE STEEL GALVANISED STEEL EASY ON HINGE**



#42.17S 170 degree galvanized steel "easy on hinge", spring loaded hinge



D= Maximum 44 mm  
B= Maximum 20 mm



A= fixed at 24 mm C= distance 24 mm  
B= adjustable from 0 to 20 mm

