
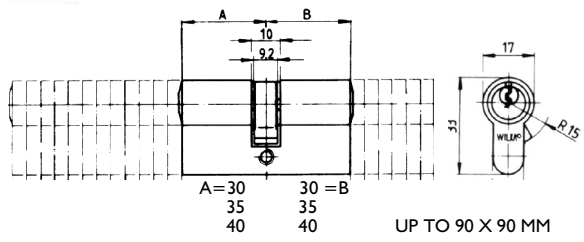


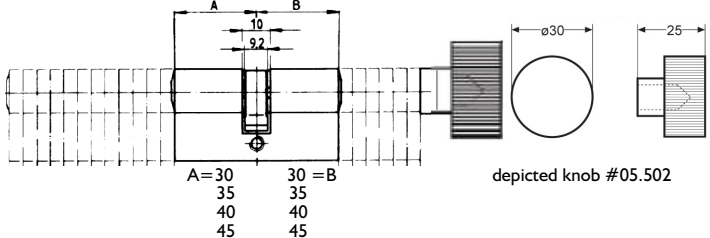

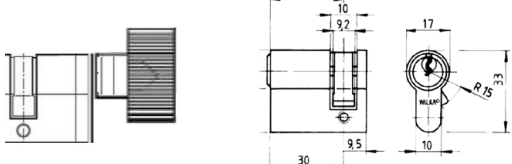
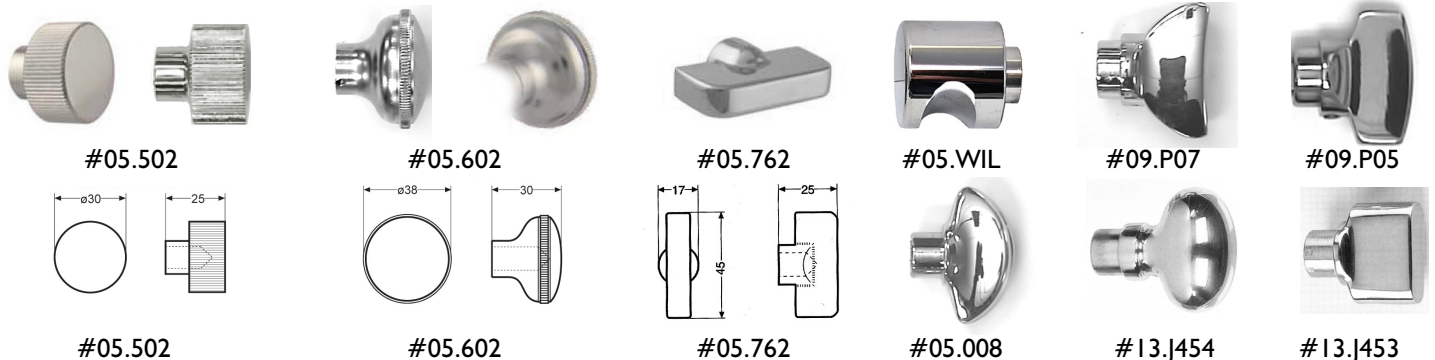




Order: key-key / key-knob / half cylinder		Finish	Materials: Chrome plated brass and stainless steel parts
 Picture Profile Cylinder key/key Picture Profile Cylinder key/key series #05.400.266 62 MM OVERAL LENGTH UP TO 182 MM OVERAL LENGTH WITH INCREMENTS OF 5 MM ALSO AVAILABLE IN ACYMETRIC SET UP			 UP TO 90 X 90 MM
05.488.266	key/key A-B	Polished chrome	A= 26.5 mm B= 26.5 mm key-key; polished chrome
05.400.266	key/key A-B	Polished chrome	A= 30 mm B= 30 mm key-key; polished chrome
05.433.266	key/key A-B	Polished chrome	A= 35 mm B= 35 mm key-key; polished chrome
05.404040	key/key A-B	Polished chrome	A= 40 mm B= 40 mm key-key; polished chrome
05.404545	key/key A-B	Polished chrome	A= 45 mm B= 45 mm key-key; polished chrome
05.405050	key/key A-B	Polished chrome	A= 50 mm B= 50 mm key-key; polished chrome
05.40--/--	key/key A-B	Polished chrome	ASYMETRIC SIZES KEY-KEY SET ARE AVAILABLE FROM STOCK
 Picture: Profile Cylinder key/knob Series #05.502 62 MM OVERAL LENGTH UP TO 182 MM OVERAL LENGTH NOT COUNTING THE KNOB ON LINE ORDERS ARE SHIPPED WITH KNOB : #05.502		 Key blanks #05.150 silver nickel	 CUSTOM SIZES SPECIAL ORDER; UP TO 90 X 90 MM - CAN BE SPECIFIED ALSO AACYMMETRIC AVAILABLE with 5 mm increments
05.407.566	key/knob	Polished chrome	A= 26.5 mm B= 26.5 mm key-knob; polished chrome
05.405.266	key/knob	Polished chrome	A= 30 mm B= 30 mm key-knob; polished chrome
05.43535	key/knob	Polished chrome	A= 35 mm B= 35 mm key-knob; polished chrome
05.44040	key/knob	Polished chrome	A= 40 mm B= 40 mm key-knob; polished chrome
05.4545	key/knob	Polished chrome	A= 45 mm B= 45 mm key-knob; polished chrome
05.5050	key/knob	Polished chrome	A= 50 mm B= 50 mm key-knob; polished chrome
05.6060	key/knob	Polished chrome	A= 60 mm B= 60 mm key-knob; polished chrome
05.--/--	key/knob	Polished chrome	ASYMETRIC SIZES KEY-KNOB SET ARE AVAILABLE FROM STOCK
 Half keyway #05.415 key/- Knob showing #05.WIL 32 x 35 mm UP TO 90 MM Half knob #05.416 knob/- special order			 Half keyway #05.415 key/- Half knob #05.416 knob/-
05.415.266	Key/ - 30 - 0	Polished chrome	A= 30 mm B= 0 mm key---; polished chrome
05.417.266	Key/ - 35 - 0	Polished chrome	A= 35 mm B= 0 mm key---; polished chrome
05.416.266	Knob/ - 30 - 0	Polished chrome	A= 30 mm B= 0 mm key---; polished chrome
05.418.266	Knob/ - 35 - 0	Polished chrome	A= 35 mm B= 0 mm key---; polished chrome



OUR MARINE GRADE PROFILE CYLINDERS ARE AVAILABLE IN CUSTOM SYMETRIC AND ASYMETRIC SIZES & FINISHES WITH THE KNOBS LISTED ABOVE
 AT sales@izerwaren.com