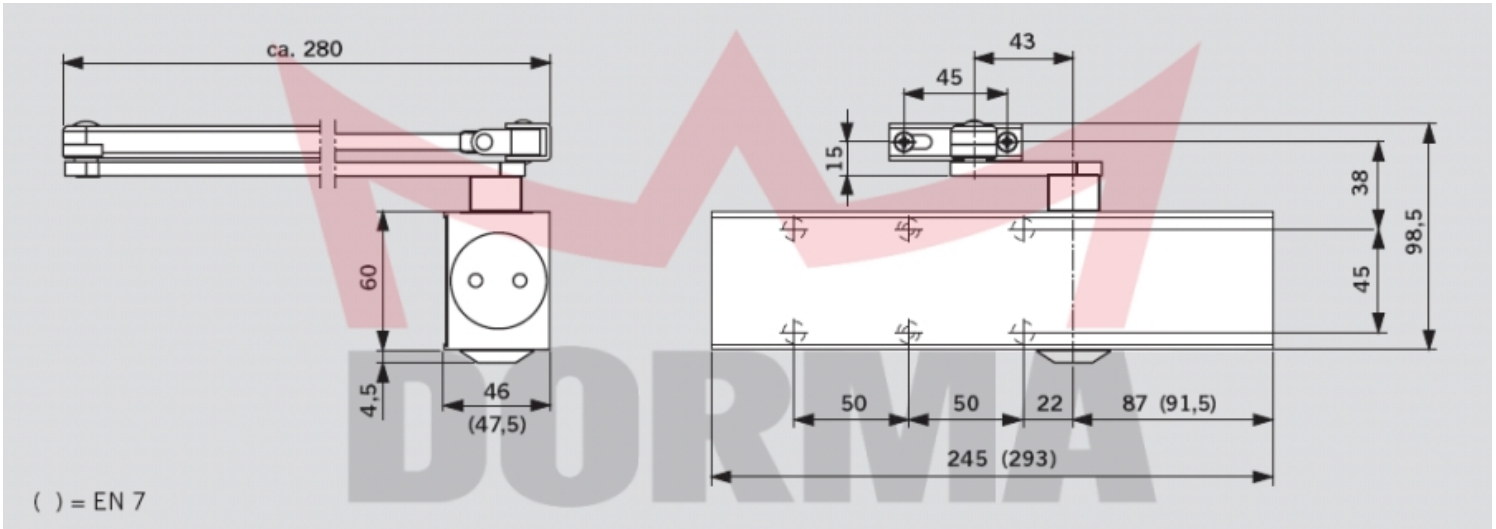




**DOOR CLOSER FOR FIRE RATED DOORS**



**#35.083H Heavy duty body force EN-7 with steel arm and steel bracket**

Data and features		TS 83	
Variable closing force	Spring strength	EN 3-6	EN 7
Standard doors <sup>1)</sup>	≤ 1400 mm ≤ 1600 mm	• -	- •
External doors, outward opening <sup>1)</sup>	≤ 1400 mm ≤ 1600 mm	• -	- •
Fire and smoke check doors <sup>1)</sup>	≤ 1400 mm ≤ 1600 mm	• -	- •
Non-handed		•	•
Arm assembly type	Standard	•	•
	Flat-form	•	•
	Slide channel	-	-
Closing force variable by means of adjustment screw		•	-
Closing speed adjustable at 2 separate valves	180° - 15°	•	-
	15° - 0°	•	-
Closing speed variable by means of valve adjustment		-	•
Adjustable latching action	by arm	•	•
Backcheck	self-regulating	•	•
	adjustable at valve	•	•
Delayed action variable at valve		○	-
Hold-open		○	○
Weight in kg		1.7	3.3
Dimensions in mm	Length	245	293
	Overall depth	46	47.5
	Height	60	60
Door closer tested to EN 1154		•	•
CE mark for construction products		•	•
• yes - no ○ option			



**#35.083H FOR FIRE RATED DOORS  
Heavy duty body force EN-7 with silver coated steel arm and steel bracket**

<sup>1)</sup> For applications involving particularly heavy or wide doors, and doors which have to close against wind resistance, the next highest closer size or a higher spring strength should be applied.