

Trim for 40 and 50 mm locksets (4040, 4050 series and I6.S04 series)



#12.59Z



#12.59W



I2.59F

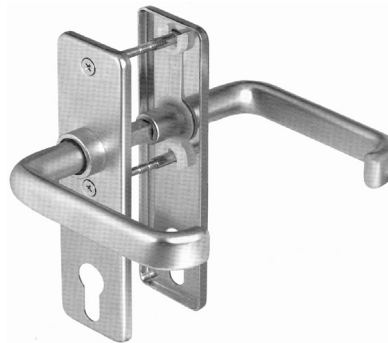


Roses & Levers #18.740 + #16.924

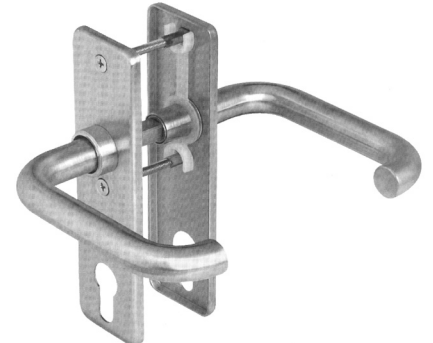
GSV and S&B Trim for 40, 50 and 55 mm locksets see page 1-4 and following



Classic Lever #14.310



Lever handles #14.999

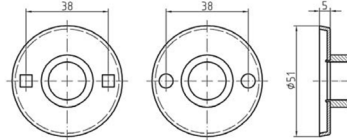


Lever handle #14.610

Shown with Escutcheon Plates #14.129 for use with 55m backset GSV locks



#14.304 Lever roses, pair 51 mm pair; for levers 14.310; 14.999, 14.610



#10.9345Z.308 Set: Entry lock 55 mm backset, with lever #18.956, roses #14.304.



#14.60Z profile cylinder roses



#14.604 roses for bit keys

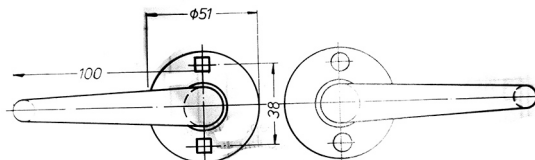


#14.40W Thumb-turn/indicator set



Levers #18.956

107 x 42 mm



showing with roses #14.304

For different options like finish and other configurations, please contact our office sales@Izerwaren.com