



Izerwaren
Order
numbers

- Mortise lock, backset 55 mm - 2 3/16"
- Pocket doors: Minimum door thickness using flush escutcheon plates on both sides: 1 3/4"
- Minimum door thickness using protruding door lever handles: 32 mm - 1 1/4"
- Solid brass hook bolt
- Round corners on lock plate
- Polished chrome plated bras



13.81Z5 **SET: Entry Sliding Door Mortise Lock with escutcheon plates and levers**

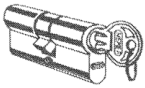


13.81Z6 **SET: Entry Sliding Door Mortise Lock with flush escutcheon plates and levers**

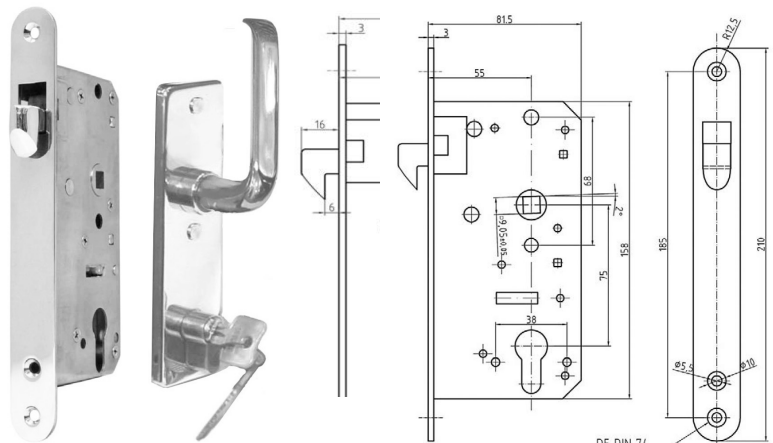
13.81Z **Sliding Door Mortise Lock only**
Center spindle hole to center key hole: 75 mm
Case: 80 mm x 152 mm x 16 mm thick
Front plate 210 x 25 mm
For 9x9 mm spindle /door lever handles
Use with profile cylinder key/key or knob/key

13.81S **Strike plate** (stainless, square corners)
13.81B **Strike plate** (brass, round corners)

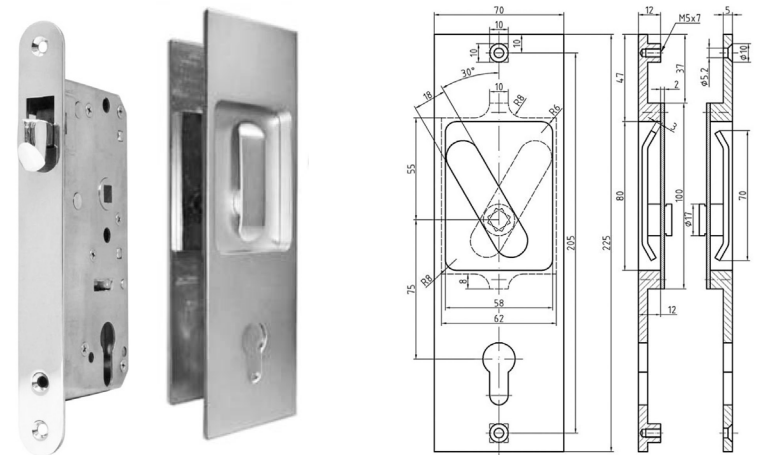
05.400 **Profile Cylinder** key/key 30/30 mm



see page 0-5 for details



Entry Lock Set#13.81Z5; 55 mm backset; Levers #14.999 Escutcheon #14.129



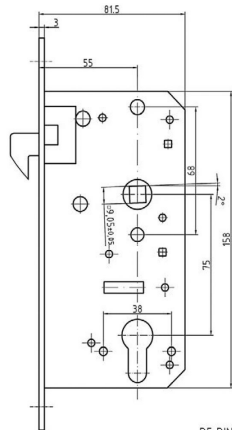
Entry Lock Set#13.81Z6; 55 mm backset; Flush lever set: #13.610Z
Minimum door thickness this set up: 42 mm or 1 3/4 inch

13.81W **Privacy Sliding Mortise Lock**

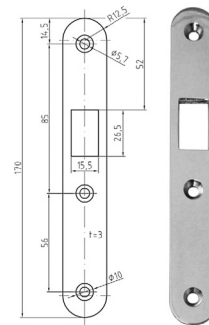
13.81F **Passage Sliding Mortise Lock**
Case: 80 mm x 152 mm x 16 mm thick
Front plate 210 x 25 mm
9x9 mm spindle for lever handles

13.81S **Strike plate**

13.610Z **Flush Lever& Escutcheon pair**



#13.81Z



#13.81S



Edge pulls #13.249;



#13.219;



#13.239

For Pocket Doors. Sizes Edge Pulls: see page 5-2