

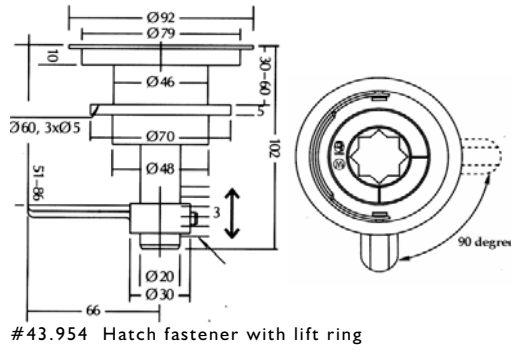


Izerwaren  
Order  
numbers

- Stainless steel hatch fasteners
- 316 stainless steel
- Sea water resistant
- Heavy duty
- Finish: Polished stainless steel
- Classed by German Lloyd

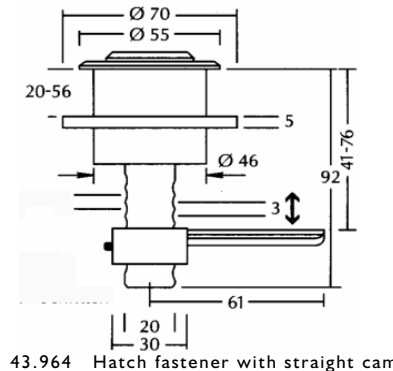


43.954 **Hatch fastener with separate lift ring**  
 Flush mount with straight cam  
 316 stainless steel  
 for use with octagon shaped keys



43.976 **Hatch fastener with separate lift ring**  
 with roller bearing cam

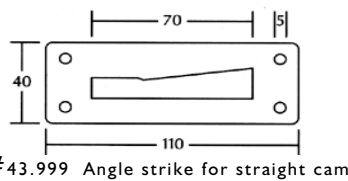
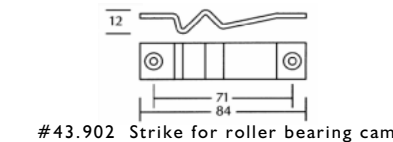
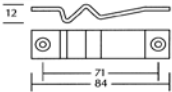
43.965 **Handle for back mounting**  
 With hatch fastener (954) or (964)  
 Used on doors or hatches



43.964 **Hatch fastener without lift ring**  
 with straight cam

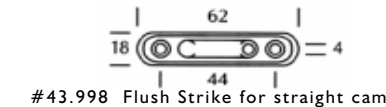
43.975 **Hatch fastener without lift ring**  
 with roller bearing cam

43.999 **Strike plate angle** 110 x 40 mm  
 43.998 **Strike plate flush** 62 x 18 mm  
 43.902 **Strike plate for roller** 84 x 20 x 12 mm  
 for roller bearing cam



43.926 **Cylinder lock for hatch lock**

Prevents unauthorized use



43.955 **Separate Lift Ring only**

43.957 **Straight cam only**



43.958 **Roller bearing cam only**

