

Firefighting Nozzles – Water and AFFF only



#92.521 Nozzle with Ball Valve
 Showing with Storz Coupling N=66 and conversion adapter.
 Lever operated Blast/Closed/Misting. Operating pressure: up to 16 bar. Lightweight Nozzle. Aluminum with Polyamide grip. Nozzle opening: 12 mm diameter. Flow diameter: 30 mm Size: 380 mm long x 140 mm 15 x 5 1/2 inch. Weight off nozzle: 3 lbs. with aluminum Storz coupling N = 66 and conversion adapter. Used at European Mega Yachts



#91.KC1 Nozzle UL approved with Storz coupling N=66
 Brass Chrome Plated Nozzle. UL Rated. Manufacturer Part Number: 6AKC1. Activates By: Twisting. For Use With Water. Inlet Size: 1 1/2 inch. Maximum Flow Rate: 130 gpm. Maximum Pressure: 100 psi. Nozzle Spray Pattern: Fog. Activation Method: Twist. Nozzle Type: Adjustable Gallonage. Rating: UNSPSC: 46191603.



#91.151 Nozzle with Piston Grip Coast Guard Approved Firefighting Nozzle and UL rated.
 With Storz N=66 coupling
 Dimensions Nozzle: 8 3/4" X High 10 3/4"
 Weight: 14.5 lbs.
 Add Storz Coupling weight: (2 lbs. brass chrome; 0.5 lbs. aluminum)
 Operating pressure: up to 100 PSI.
 Thread: US NPS female 1.75" -9
 To: US NPT 1 1/2" Storz coupling

Hoses and Containers



#91.707 Fire Hose Pyroflat white 1 1/2 diameter with Storz couplings N=66
 18 meter / 59 feet Pyroflat hose with aluminum Storz couplings distance = 66 mm.
Use with valve #91.778


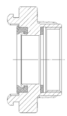



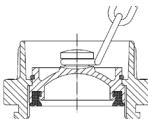

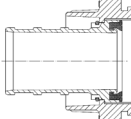


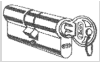
#91.7071 Fire Hose piroflat white 1 1/2 inch diameter with Storz couplings N=52.
 18 meter / 59 feet w. alu. Storz coupling for 1 1/4 ID fire system Storz coupling distance = 52 mm.
Use with fire valve #91.777



Part#: 91.728 Fire Hose Container
 600 x 500 x 180 mm, Fiberglass. Made from ~ 1/8 inch Fiberglass for max. 18 meter fire hose; Equipped with stainless steel hinges and lockable stainless steel hasp

Adapters, Couplings

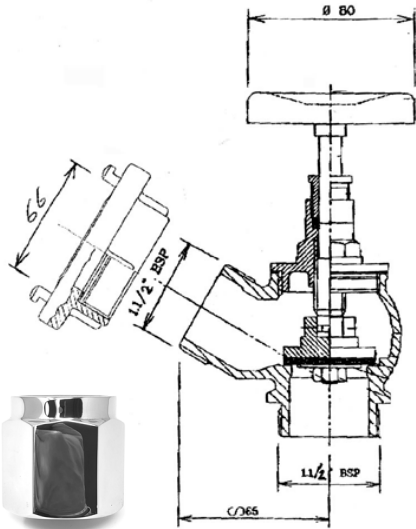
<p>#92.380 Storz coupling male N=52 #92.381 Storz coupling male N=66 Please specify thread and base material (Brass or Aluminum)</p>	  <p>#92.380/1 male thread</p>
<p>#92.382 Storz coupling female N=52 #92.383 Storz coupling female N=66 Please specify thread and base material (Brass or Aluminum)</p>	  <p>#92.382/3 female thread</p>
<p># 91.CSL female/female adapter from 1 1/2" BSP to NPS 1 1/2" Chrome plated brass</p>	 <p>#91.CSL</p>
<p>#91.052 Dustcover Storz N-52 (Brass or Aluminum) #91.066 Dustcover Storz N-66 (Brass or Aluminum) #91.1431 Storz coupling w. hose barb N-52 to 1 1/2" hose #91.1436 Storz coupling w. hose barb N-66 to 1 1/2" hose</p>	   



Valves and Coupling



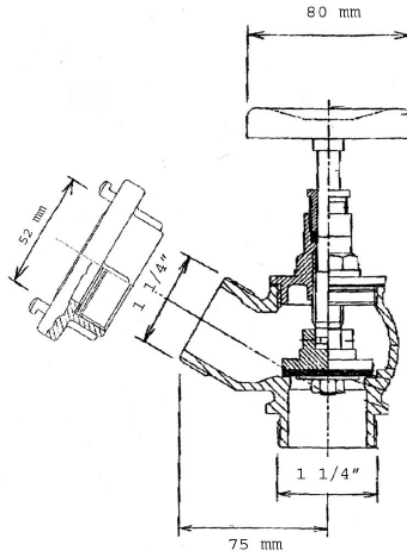
#91.778 Valve + 1 1/2" with N=66 Storz Coupling and Dust cap
Steel powder coated turning wheel
Thread: 1 1/2" BSP. Valve chrome over brass



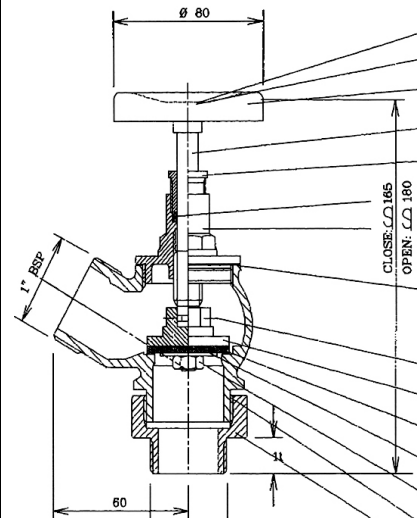
91.CSL female/female adapter 1 1/2" BSP to NPS



#91.777 Valve 1 1/4" showing with Storz coupling and dust cap N=52
Steel powder coated turning wheel
Thread: 1 1/4" BSP. Valve chrome plated brass

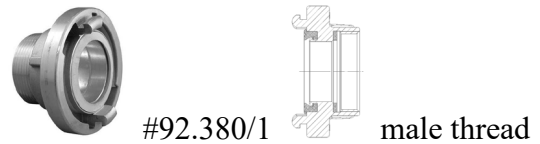


#91.075 Valve 1 inch showing with Stainless Steel Camlock Coupling & cap
Steel powder coated turning wheel
Thread: 1" BSP. Valve chrome plated brass

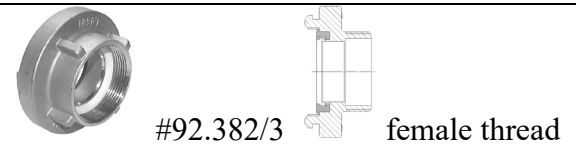


Adapters, Couplings

#92.380 Storz coupling male N=52
#92.381 Storz coupling male N=66
Please specify thread and base material (Brass or Aluminum)



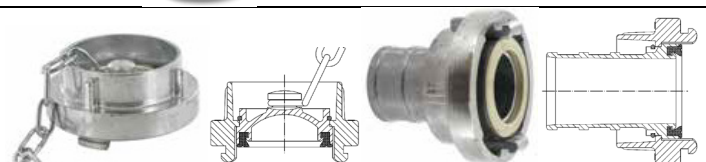
#92.382 Storz coupling female N=52
#92.383 Storz coupling female N=66
Please specify thread and base material (Brass or Aluminum)

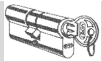


91.CSL female/female adapter from 1 1/2" BSP to NPS 1 1/2"
Chrome plated brass



#91.052 Dustcover Storz N-52 (Brass or Aluminum)
#91.066 Dustcover Storz N-66 (Brass or Aluminum)
#91.1431 Storz coupling w. hose barb N-52 to 1 1/2" hose
#91.1436 Storz coupling w. hose barb N-66 to 1 1/2" hose





Flange Mounted Valves, and Shore Flange with Storz Couplings, Nozzle and couplings

<p>#91.534 International Shore Connection Brass flange with BSP 63 mm male thread.</p> <p>180 mm diameter x 12 mm flange (a Storz coupling 88 can be fitted.) Storz coupling not shown.</p>		<p>#91.534</p> <p>International Shore Flange 63 mm BSP British Pipe Tread Male</p>
<p>#91.53173 1 1/2 inch valve 60 degree on flange Flange: 150 mm diameter Size 1 1/2 inch: A = 88 C = 150 D = 175/195 E = 66 Storz Coupling</p> <p>All Models: Black steel powdercoated wheel for safety. Order storz couplings separate</p>	<p>60 degree model with DIN flange</p> <p>#91.53173</p>	<p>1 1/2 inch valve 60 degree on flange order Storz coupling separate</p>
<p>91.150 Nozzle with horseshoe handle Dimensions: Long: 8 3/4" X High 10 3/4" Weight: 9 lbs Operating pressure: up to 100 PSI. Thread: US NPS female 1.75" -9 Combination Fog and Straight Stream Constant gallonage for either pattern. Chrome Plated Brass</p>	<p>Coast Guard Approved Firefighting Nozzles – Water and AFFF only</p> <p>Coast Guard Approved AFFF/water Fog Nozzle with horseshoe handle</p>	<p>91.150 Nozzle with horseshoe handle</p>
<p>#92.380 Storz coupling male N=52 #92.381 Storz coupling male N=66 Please specify thread and base material (Brass or Aluminum)</p>	<p>#92.380/1 male thread</p>	
<p>#92.382 Storz coupling female N=52 #92.383 Storz coupling female N=66 Please specify thread and base material (Brass or Aluminum)</p>	<p>#92.382/3 female thread</p>	
<p>#91.052 Dustcover Storz N-52 (Brass or Aluminum) #91.066 Dustcover Storz N-66 (Brass or Aluminum) #91.1431 Storz coupling w. hose barb N-52 to 1 1/2" hose #91.1436 Storz coupling w. hose barb N-66 to 1 1/2" hose</p>		