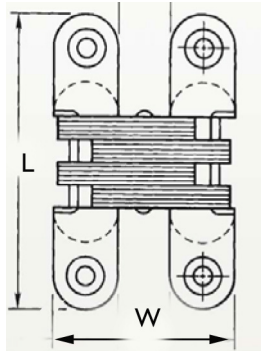


Izerwaren  
Order number

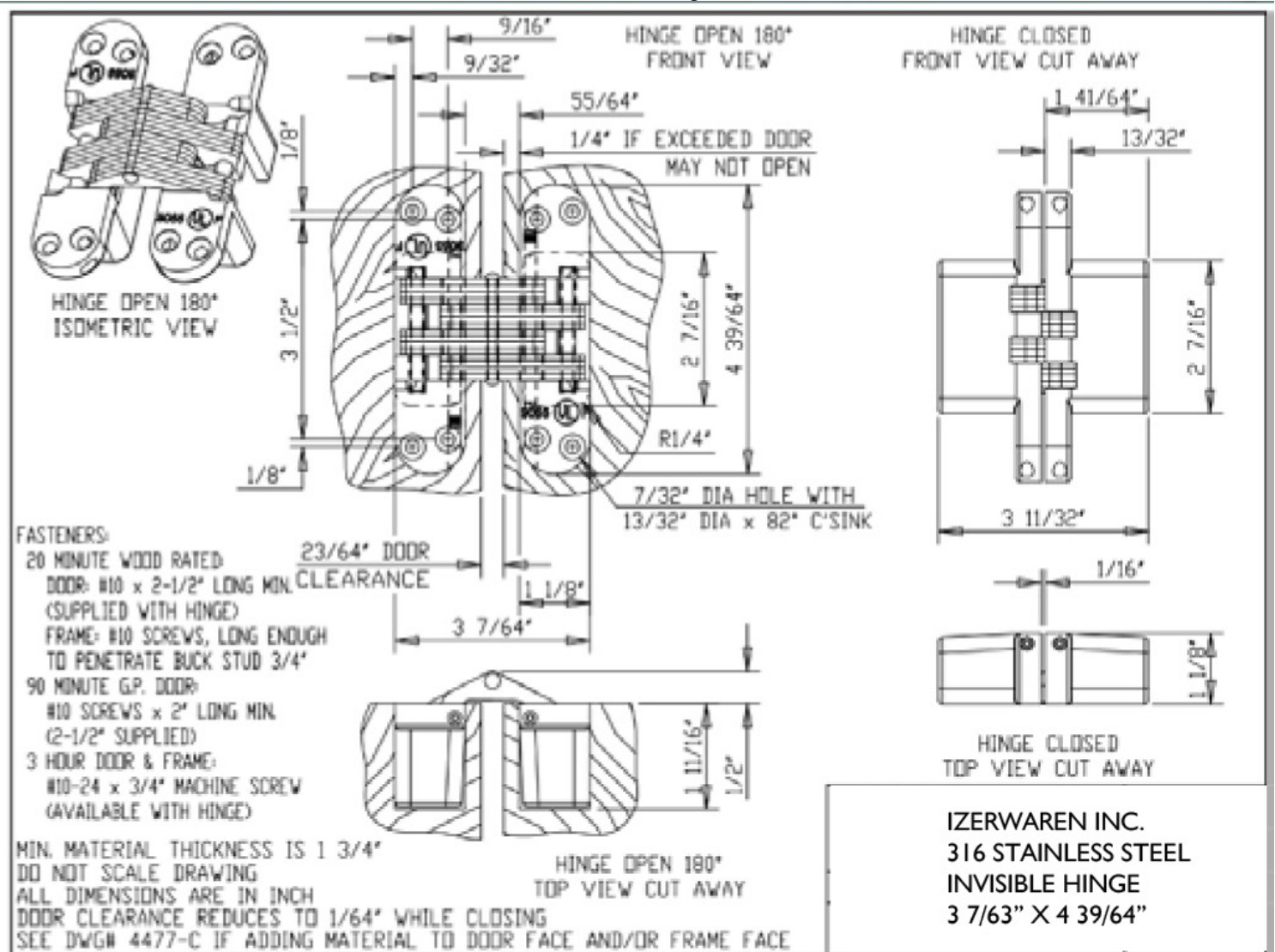
41.418.508

**“SOSS” type invisible hinge**

Size hinge:  
**L: 4 39/64 inch x W: 3 7/64 inch**  
For full size doors  
Door thickness: 2 inch  
180 degree opening  
Finish: 316 satin stainless steel



#41.418 Invisible Hinge, minimum door thickness 2 inch



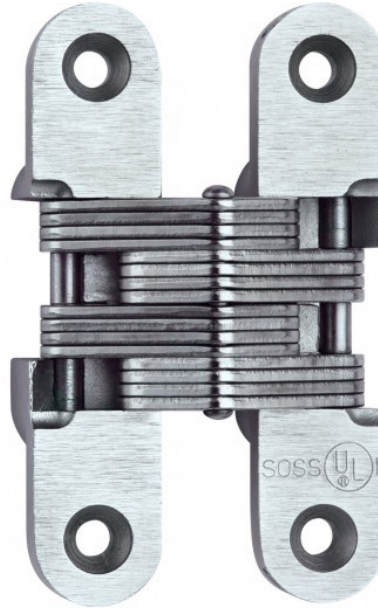
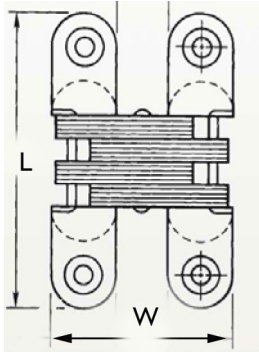
**IZERWAREN INC.**  
**316 STAINLESS STEEL**  
**INVISIBLE HINGE**  
**3 7/63" X 4 39/64"**



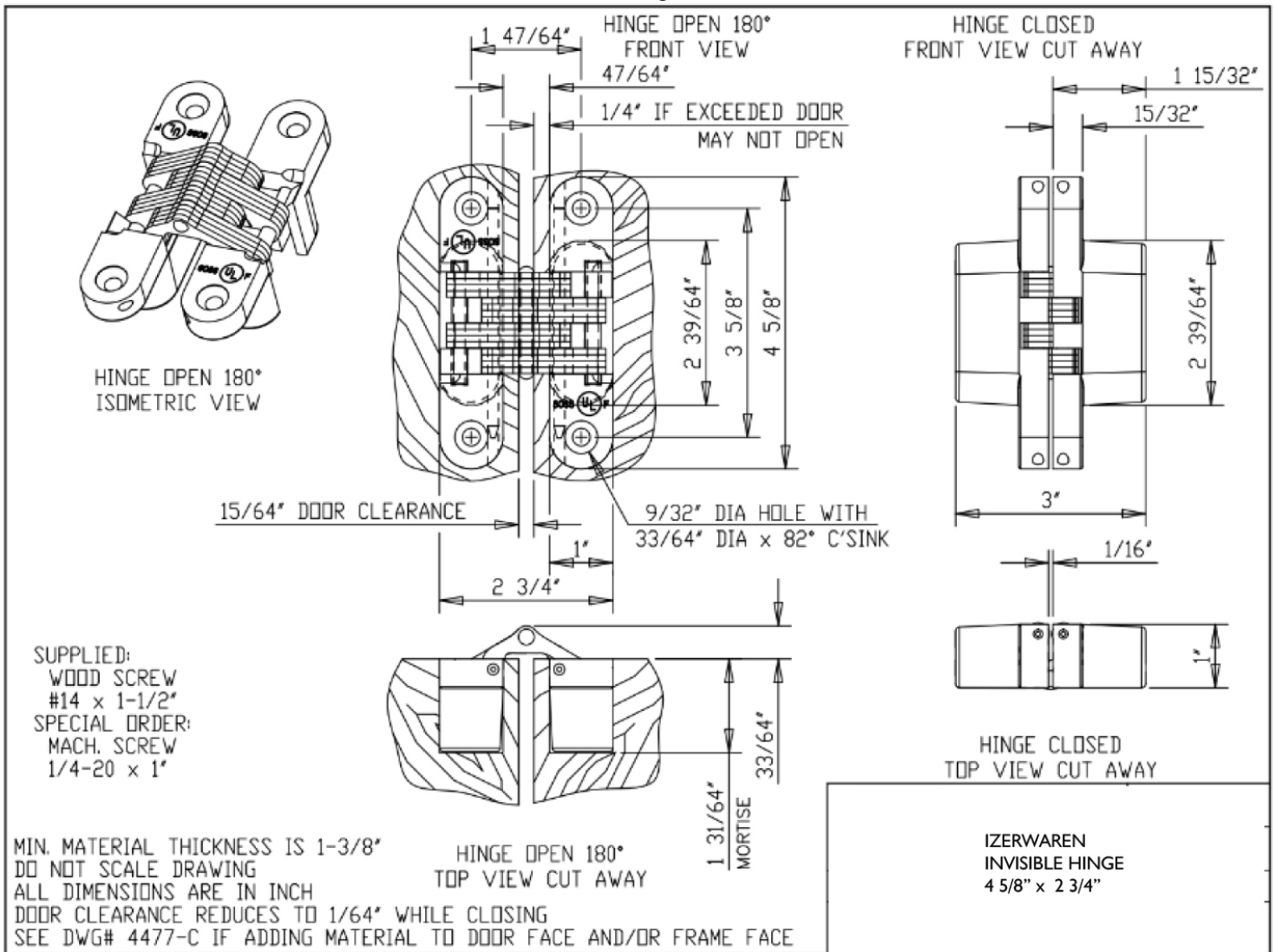
Izerwaren  
Order number  
41.416.508

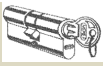
**"SOSS" type invisible hinge**

Size hinge:  
**L: 4 5/8 inch x W: 2 3/4 inch**  
For full size doors  
Door thickness: 1 3/8 inch  
180 degree opening  
Finish: 316 satin stainless steel



#41.416 Invisible Hinge, minimum door thickness 1 3/8"

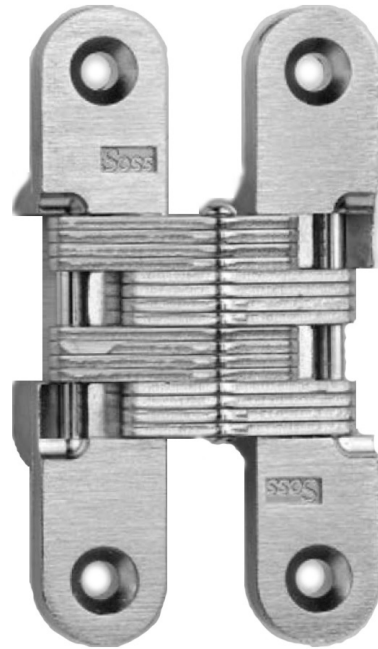
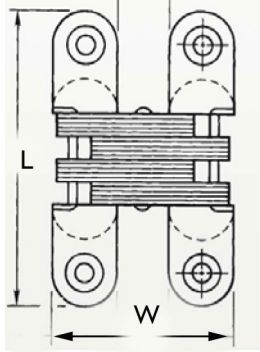




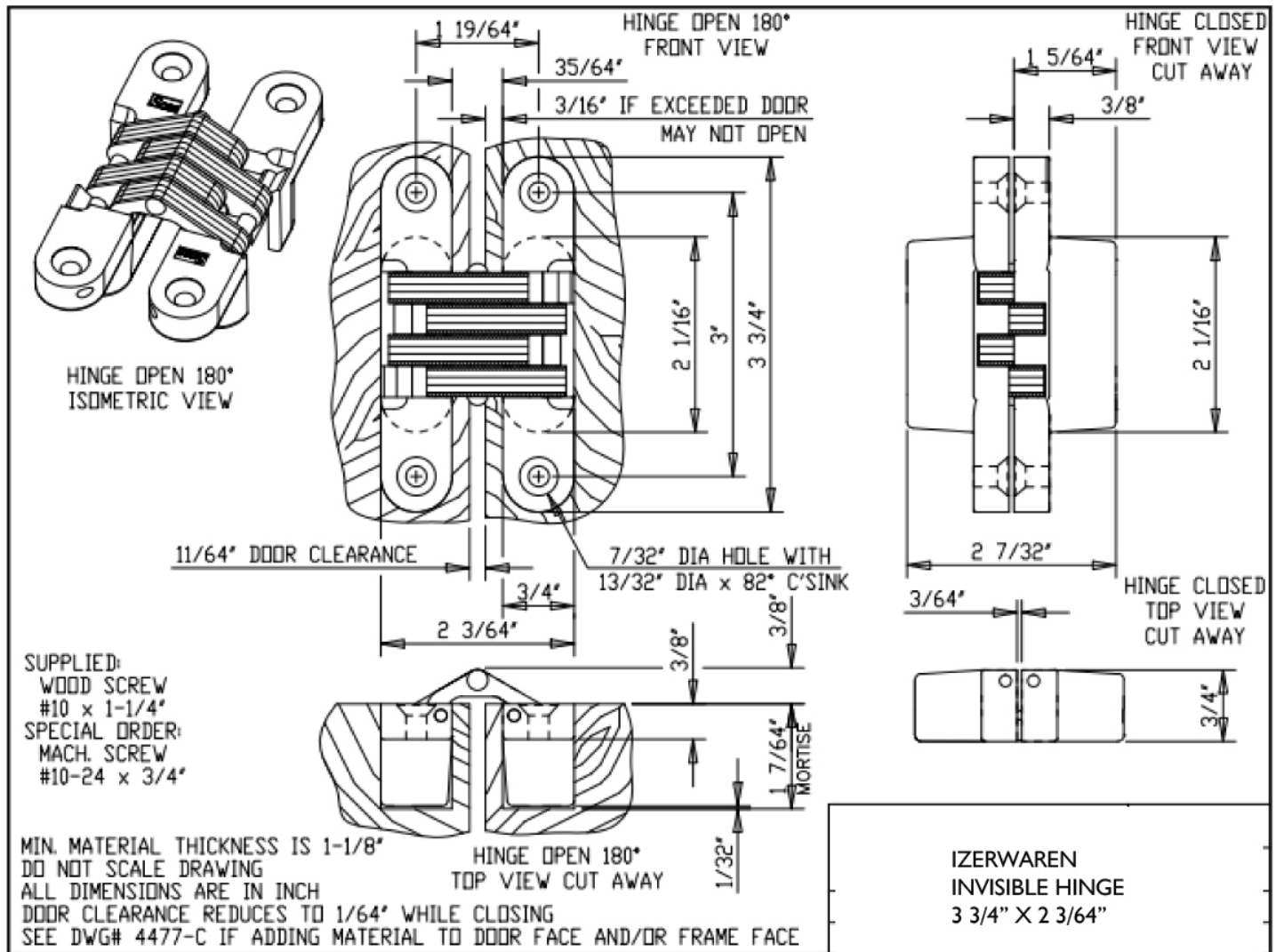
Izerwaren  
Order  
number

41.221.508 "SOSS" type invisible hinge

Size hinge:  
L: 3 3/4 inch x W: 2 3/64 inch  
Door thickness: 1 1/8 inch  
180 degree opening  
Finish: 316 satin stainless steel



#41.221 Invisible Hinge, minimum door thickness 1 1/8 inch-





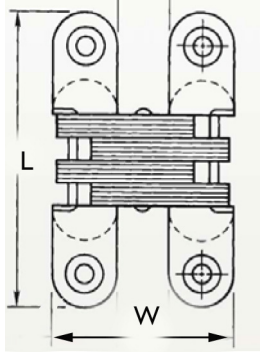


Izerwaren  
Order  
number

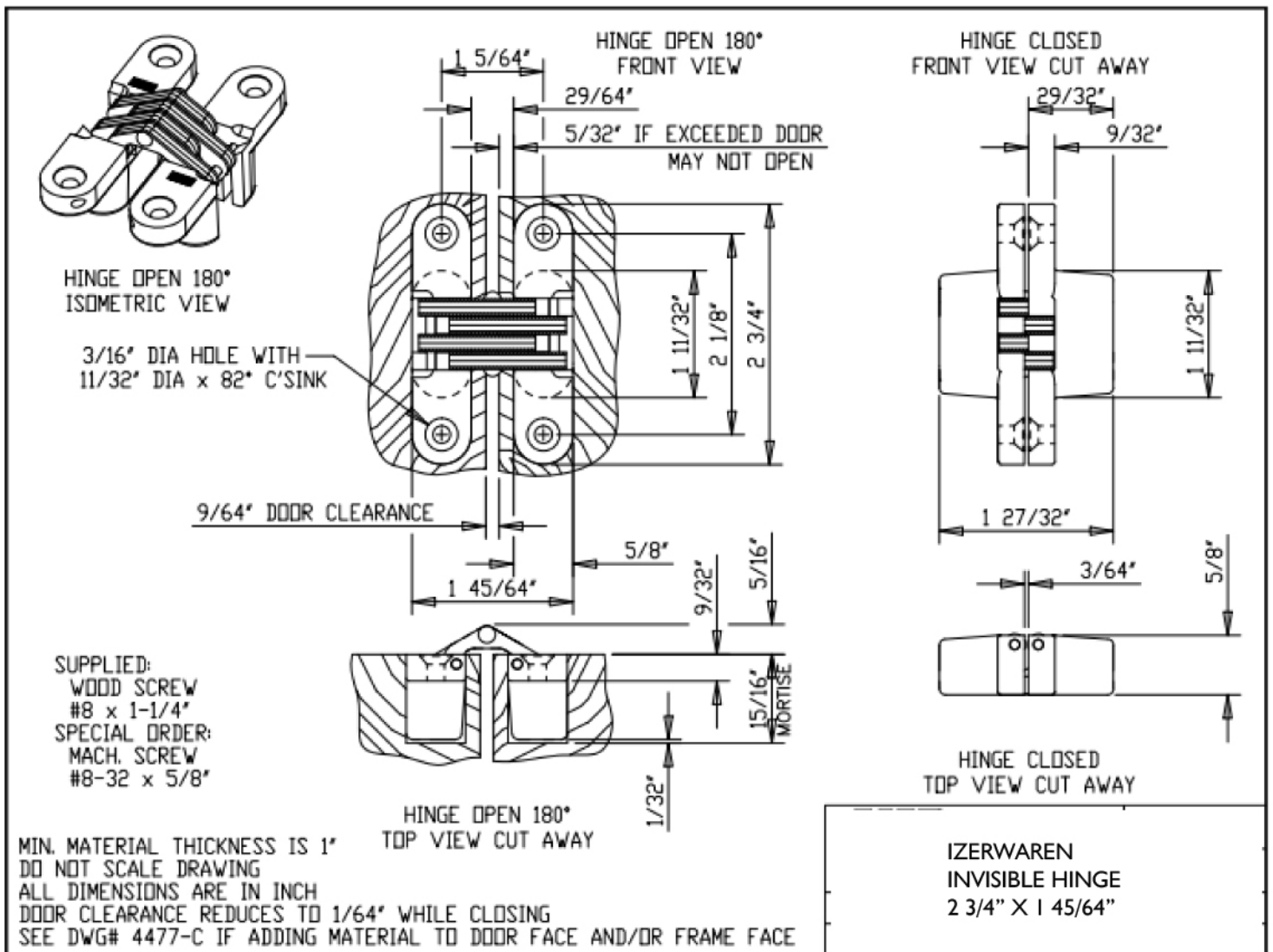
41.208.508 "SOSS" type invisible hinge

Size hinge:  
L: 2 3/4 inch x W: 1 45/64 inch

Door thickness: 1 inch  
180 degree opening  
Finish: 316 satin stainless steel



#41.208 Invisible Hinge, minimum door thickness 1 inch

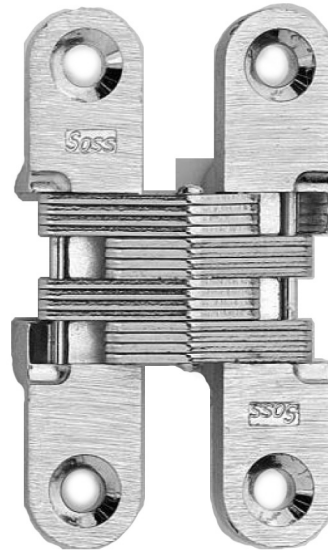
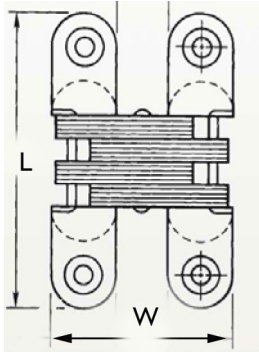




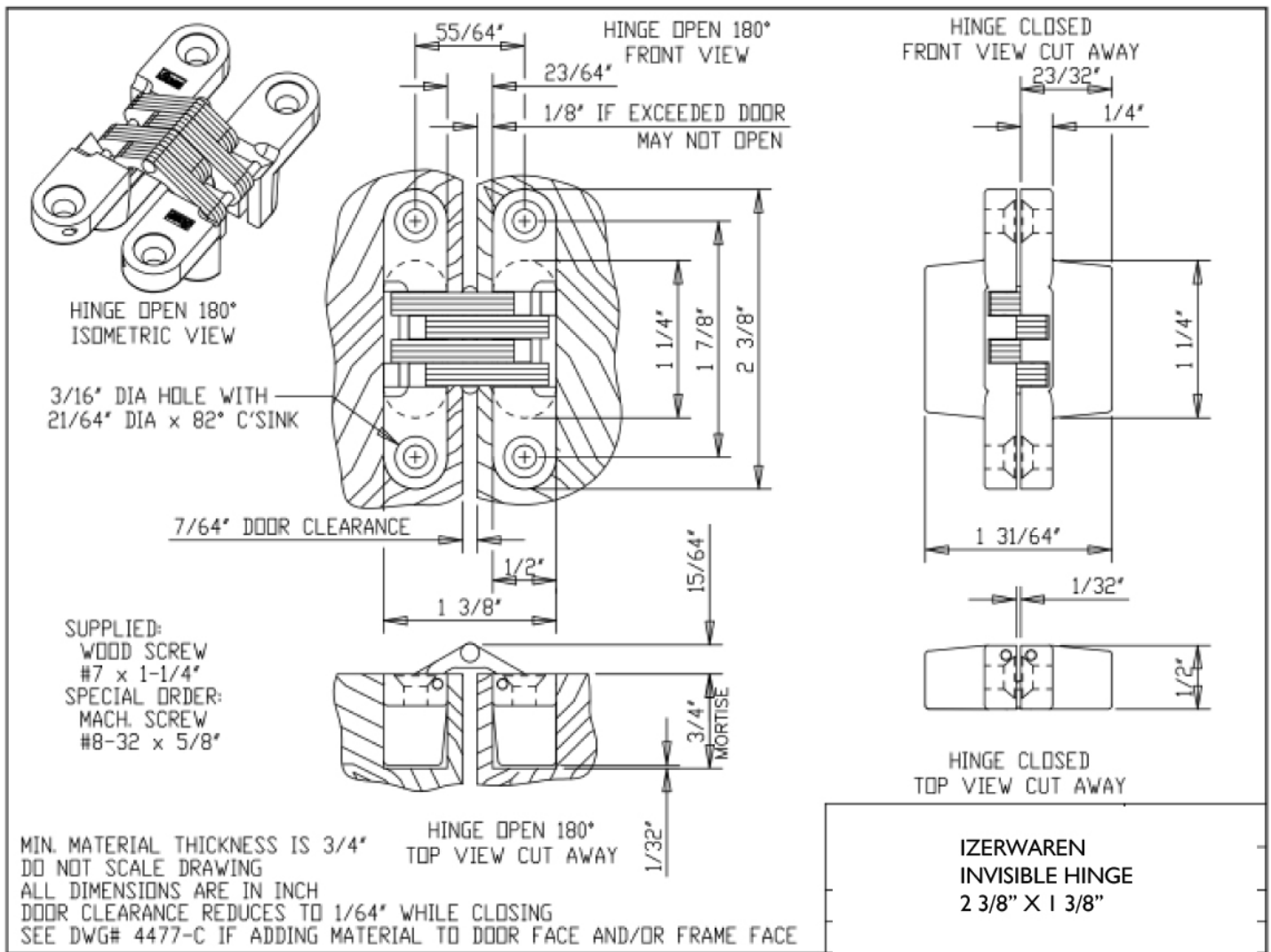
Izerwaren  
Order  
numbers

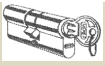
41.204.508 "SOSS" type invisible hinge

Size hinge:  
L: 2 3/8 inch x W: 1 3/8 inch  
Door thickness: 3/4 inch  
180 degree opening  
Finish: 316 satin stainless steel



#41.204 Invisible Hinge, minimum door thickness 3/4 inch

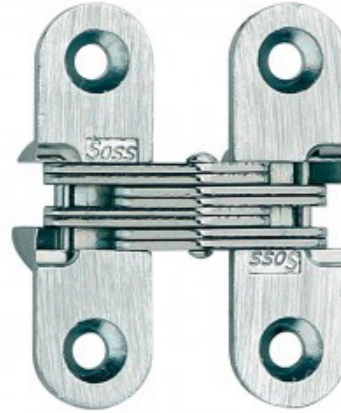
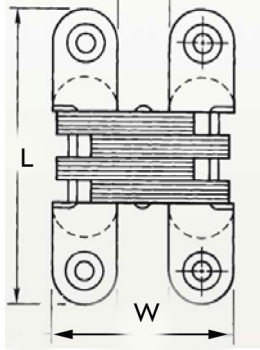




Izerwaren  
Order  
number

41.203.508 "SOSS" type invisible hinge

Size hinge:  
L: 1 3/4 inch x W: 1 23/64 inch  
Door thickness: 3/4 inch  
180 degree opening  
Finish: 316 satin stainless steel  
Minimum door thickness: 3/4 inch  
180 degree opening  
Max. Door weight: 30 kg / 66 lbs  
using 3 hinges  
Finish: 316 satin stainless steel



#41.203 Invisible Hinge, minimum door thickness 3/4 inch

